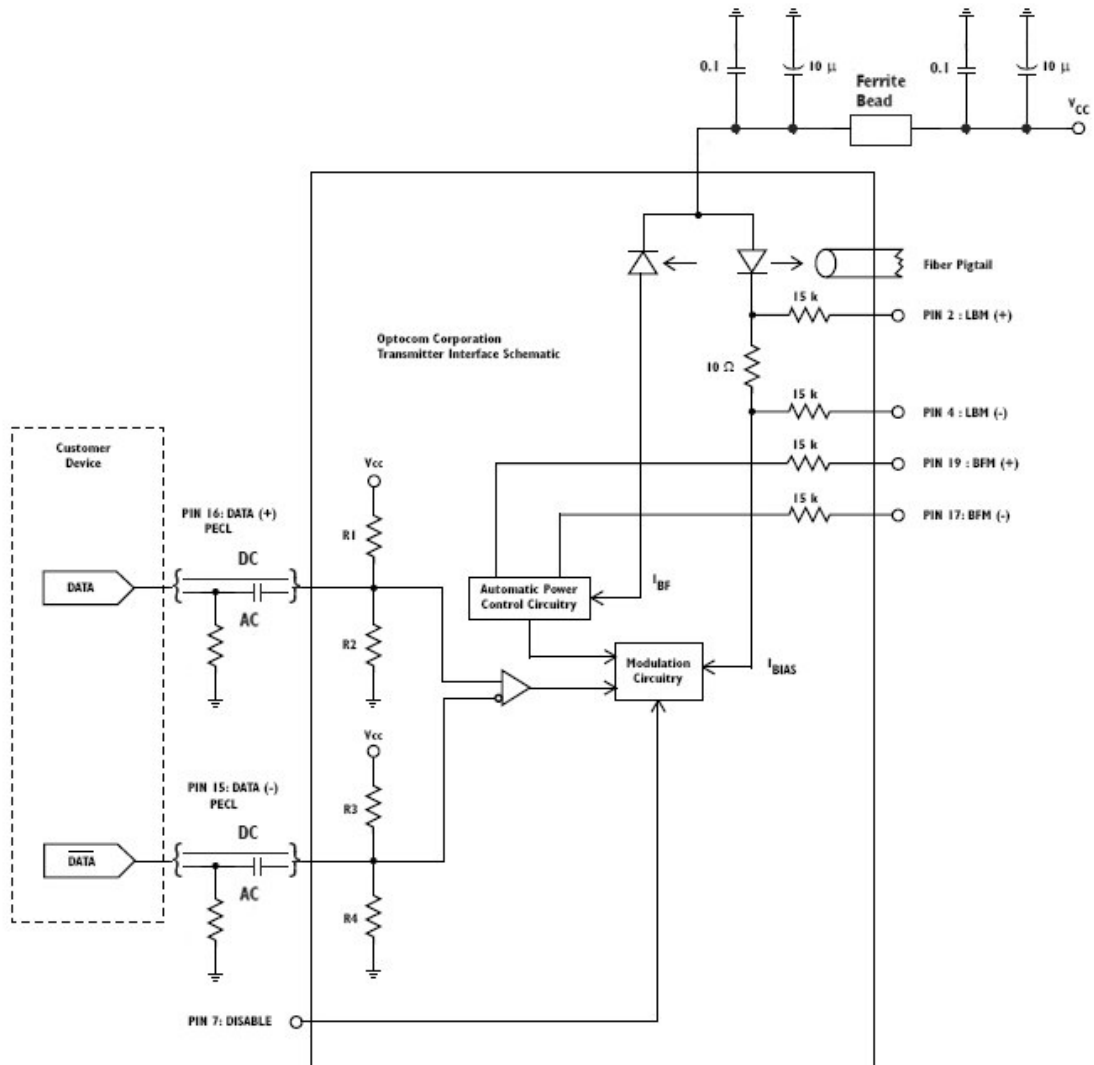


Recommended Interface Diagram for Optical Transmitter Module
 (for OC-24/ OC-48 and OC-12 CWDM modules)


- Note: 1. For $V_{CC} = +5.0V$, $R_1 = R_3 = 100\Omega$ and $R_2 = R_4 = 150\Omega$
 2. For $V_{CC} = +3.3V$, $R_1 = R_3 = 127\Omega$ and $R_2 = R_4 = 82.5\Omega$
 3. DATA(+) and DATA(-) are shown as being DC or AC coupled from an external device.